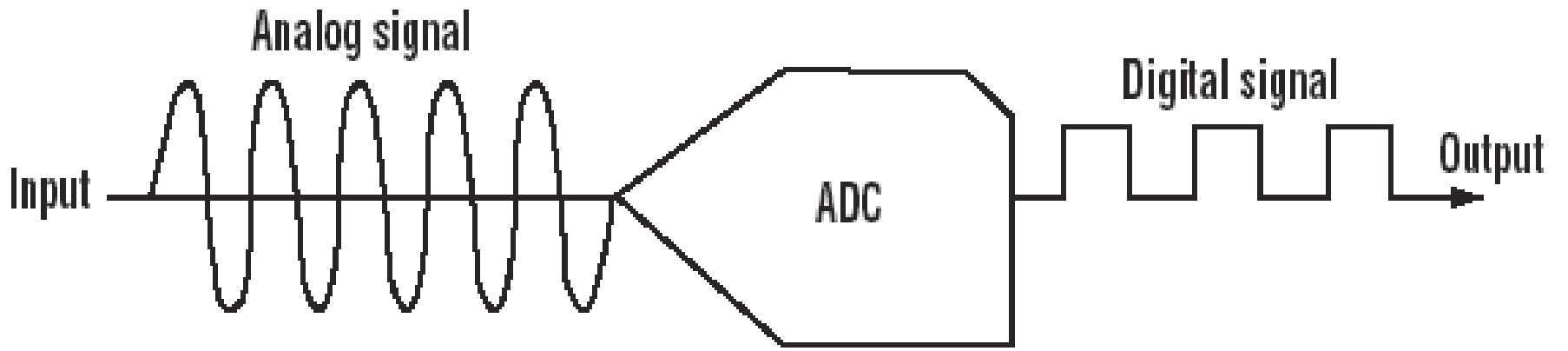
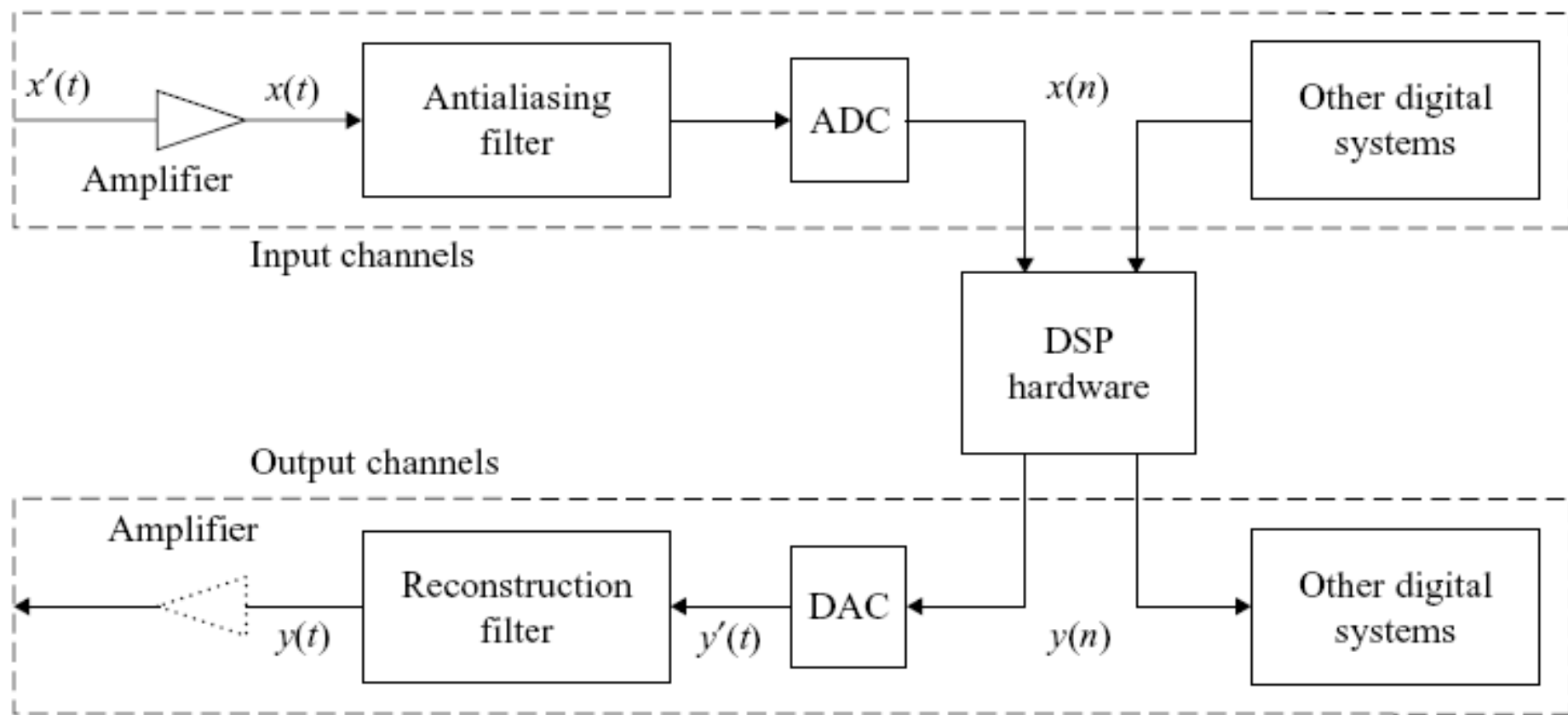
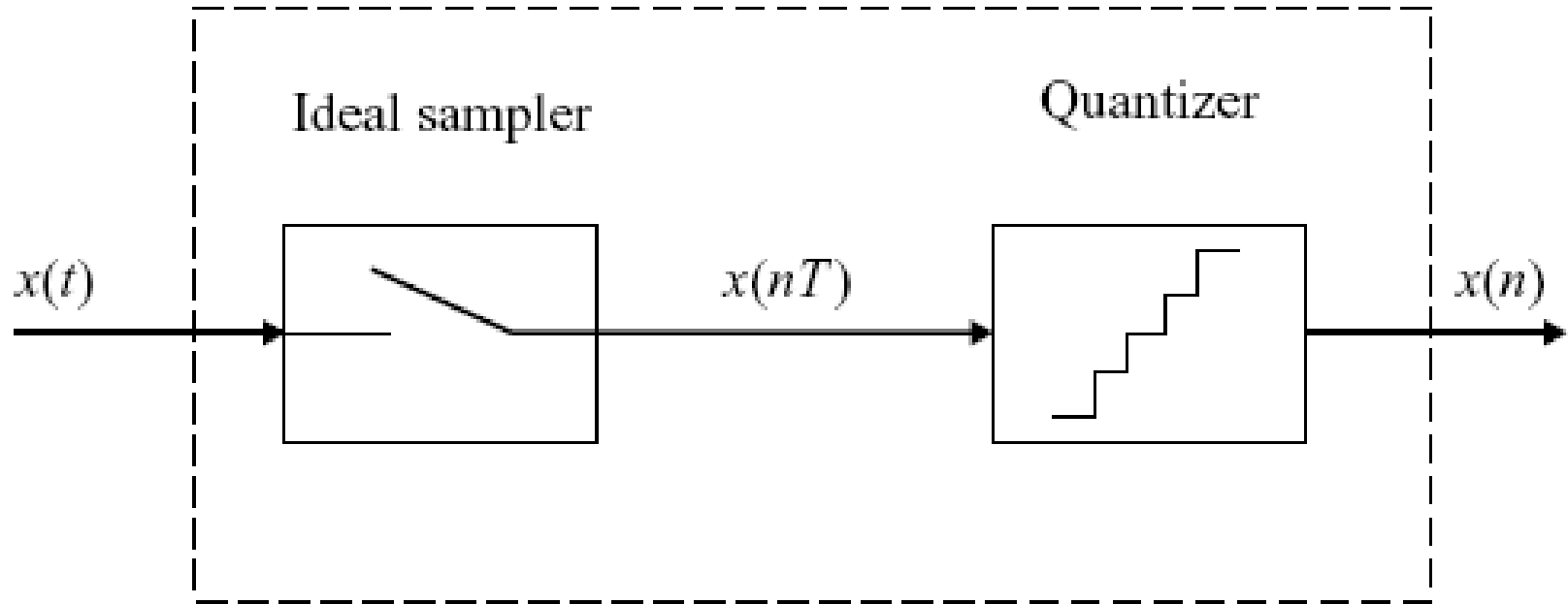


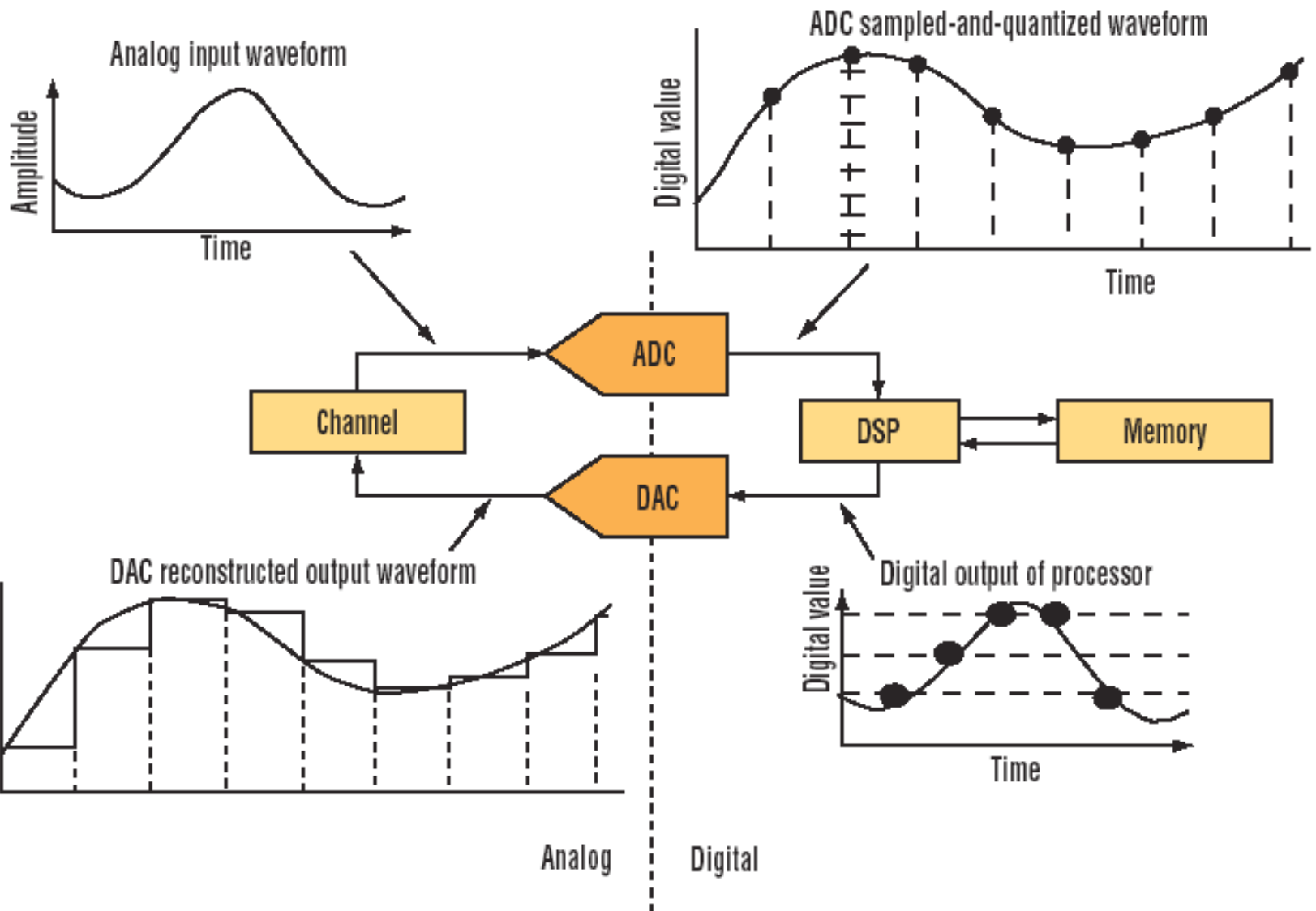
Analog-to-Digital and Digital-to-Analog Converter

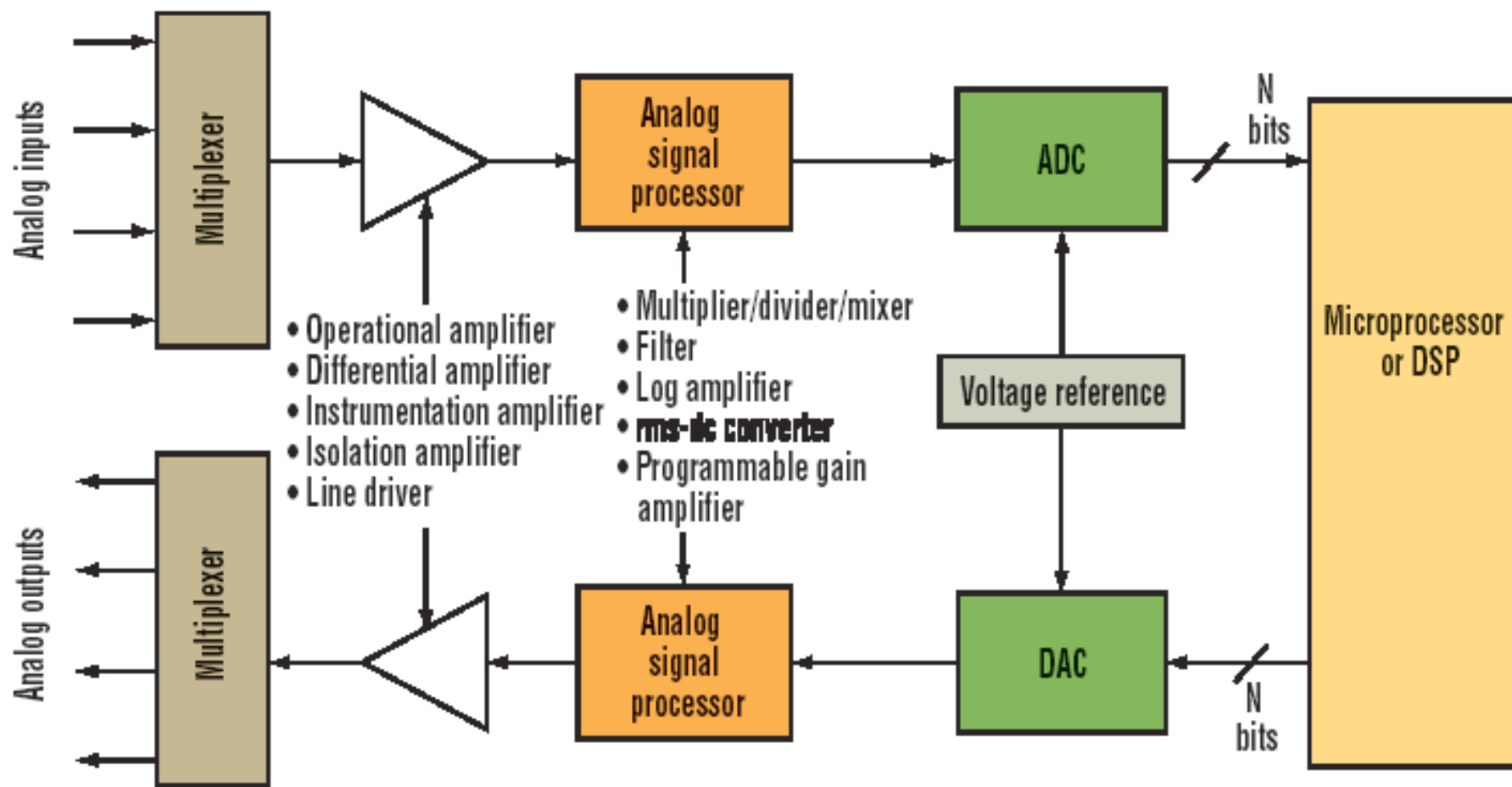




Analog-to-digital converter

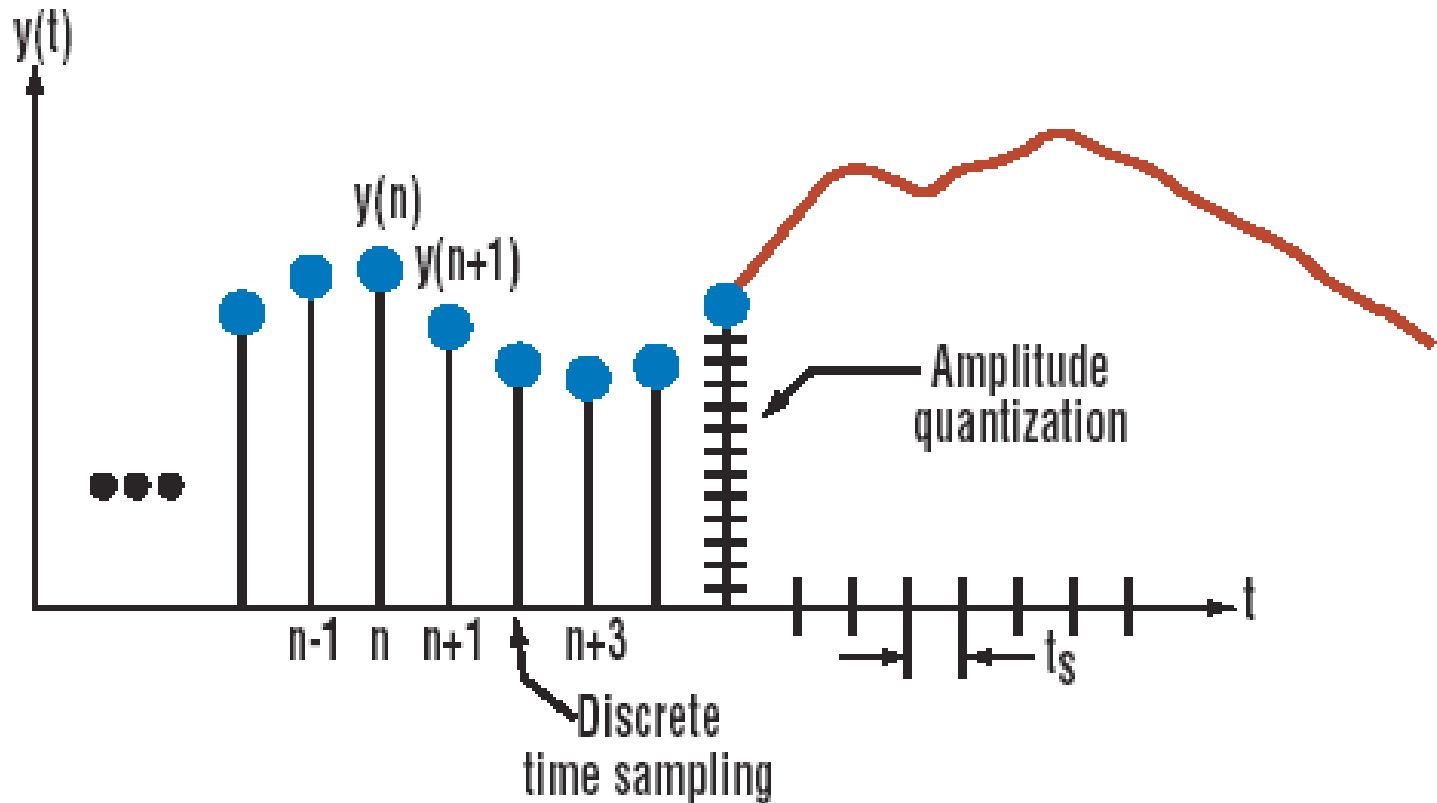




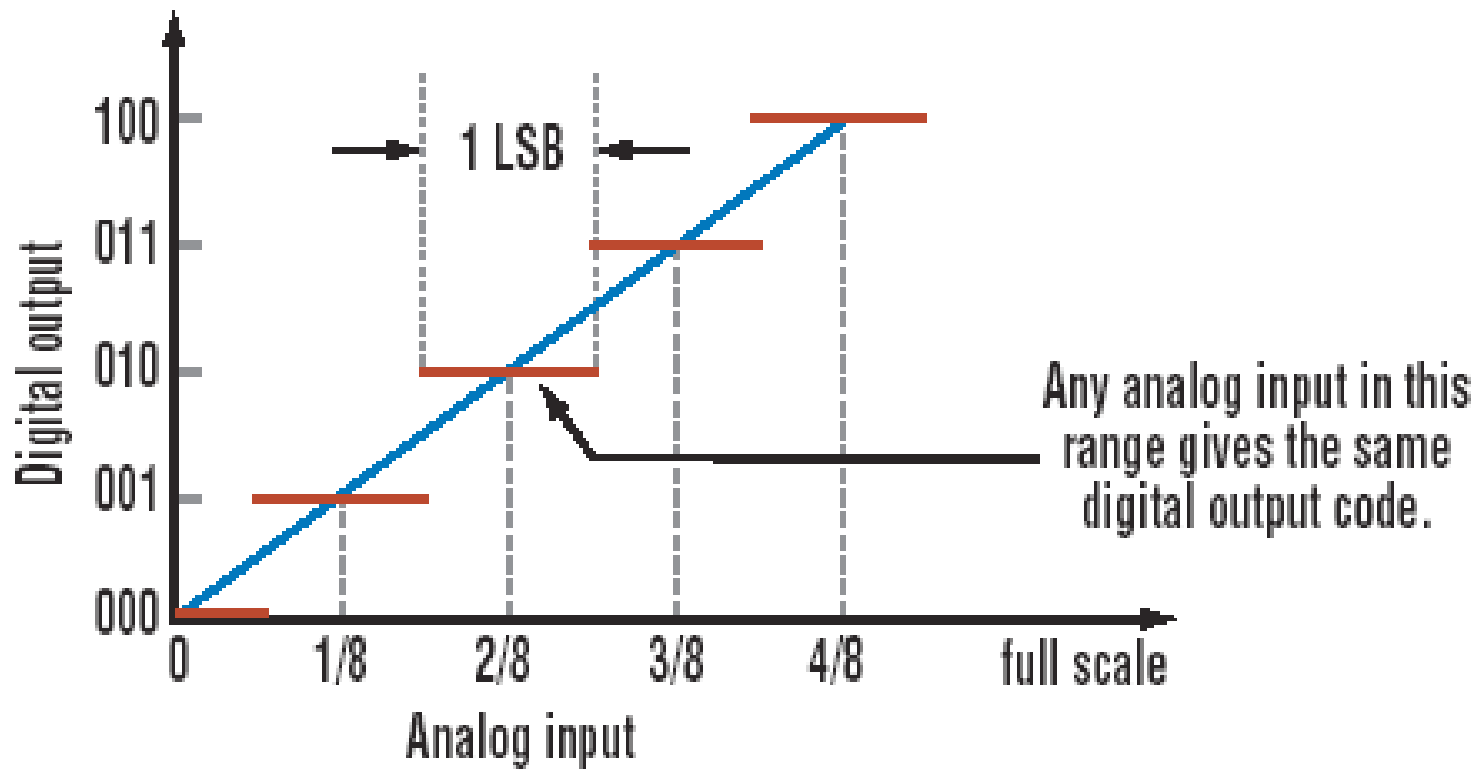


Measurement and Control Loop

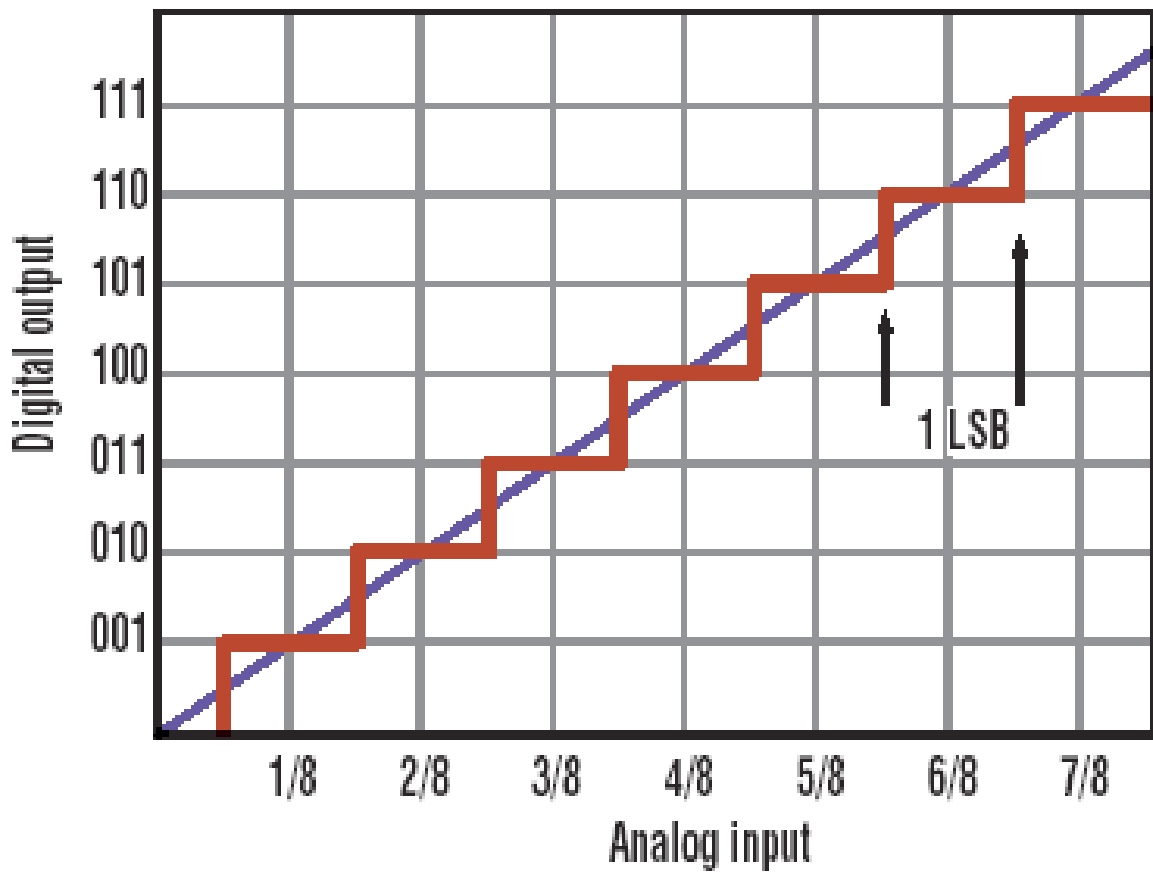
An ADC Carries Out Two Processes



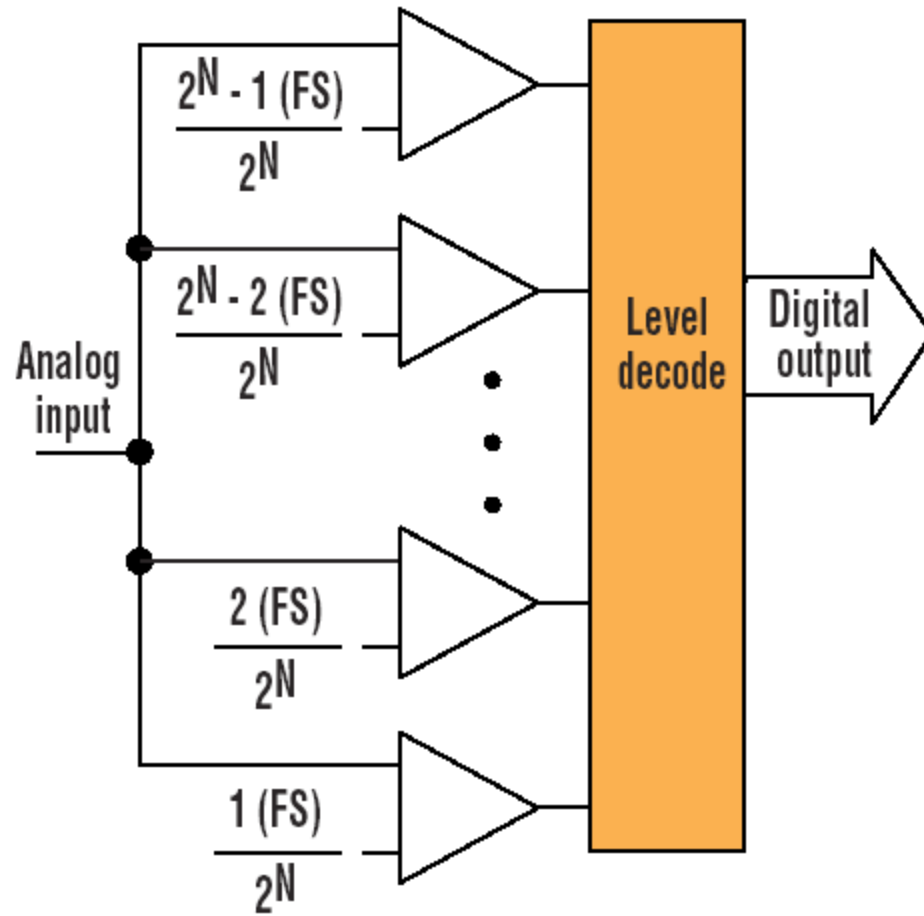
Sampling Process



Quantization Process

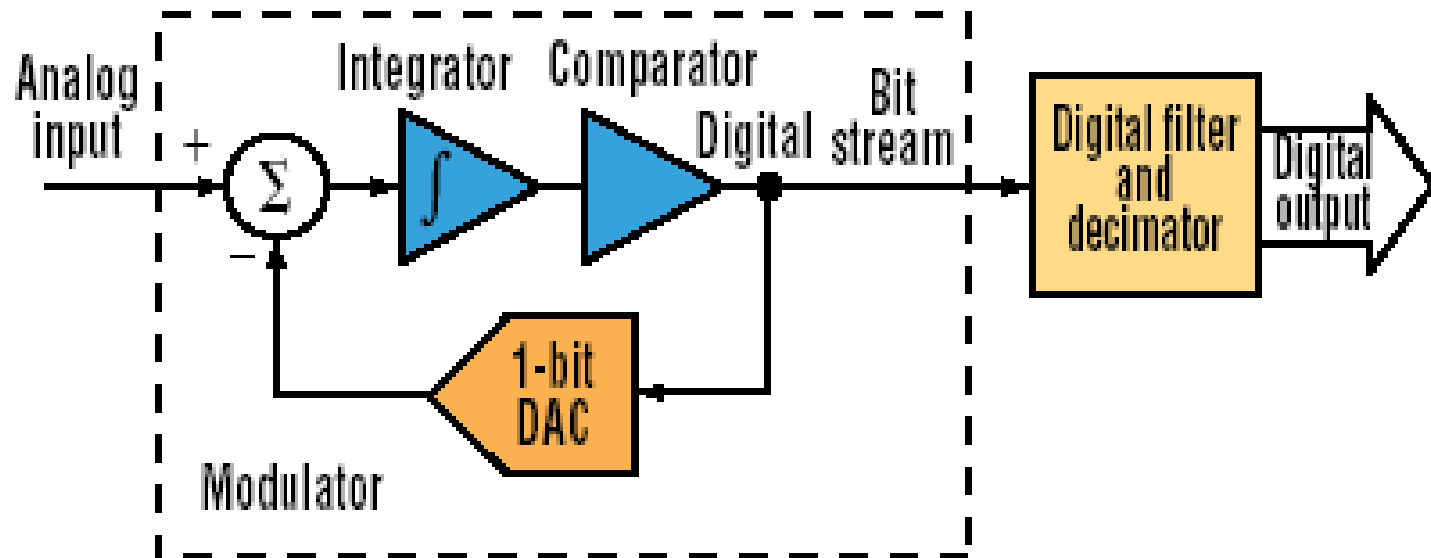


Transfer Funtion for an Ideal ADC

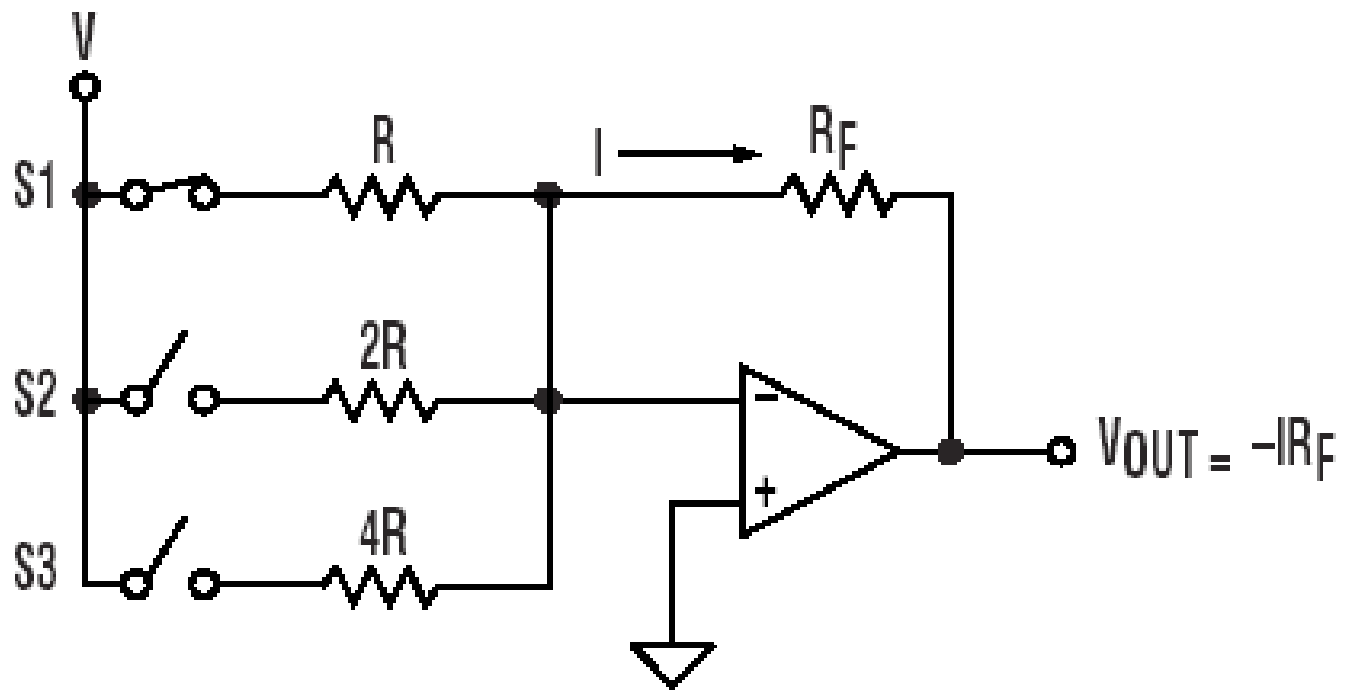


FS= Full scale analog input voltage

Flash Architecture



Sigma-Delta Architecture



A binary-weighted DAC

